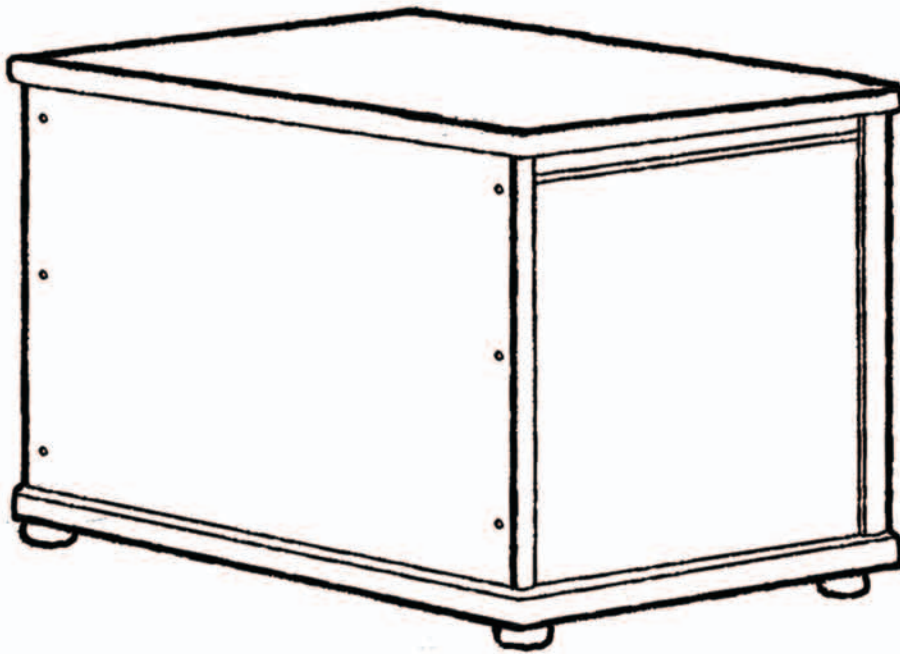


Since 1976

ADEPTUS[®]

STORAGE CHEST # 20694

• ASSEMBLY INSTRUCTIONS •



FOR ADVICE / COMMENTS OR FOR REPLACEMENT OF
MISSING / DEFECTIVE PARTS, PLEASE CALL:
TOLL FREE 1.888.ADEPTUS MON. - FRI. 9 AM TO 4 PM C.S.T.

IMPORTANT: SAVE INSTRUCTION SHEETS AND BOX
UNTIL YOU ARE SATISFIED WITH ASSEMBLY.

IF YOU CALL FOR HELP, PLEASE IDENTIFY YOUR ITEM BY
NAME & STOCK NUMBER, STORE WHERE PURCHASED & DATE
PURCHASED. IF A CODE IS ON THE BOTTOM RIGHT CORNER
OF THIS PAGE, OR ON THE BOX, PLEASE TELL US.

THANK YOU, AND WELCOME TO ADEPTUS!

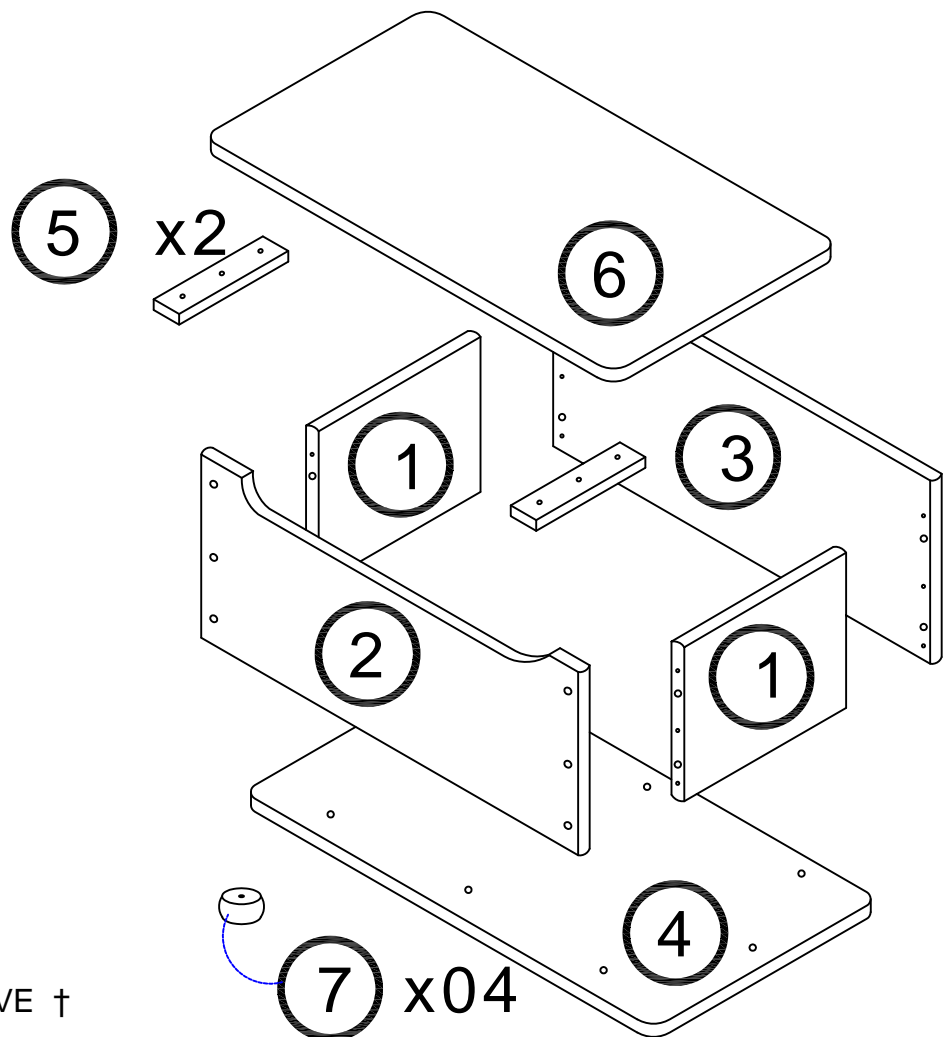
STOP TO CHECK

MISSING A PART?

No need to go back to your store!
The store where you made your purchase
does not stock parts for this item.

If you need replacement parts, whether
they are missing or damaged,
call our service department.




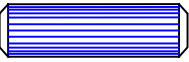

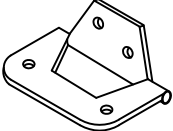

Call toll free: 1.888.ADEPTUS
and we will happily ship your parts,
free of charge.



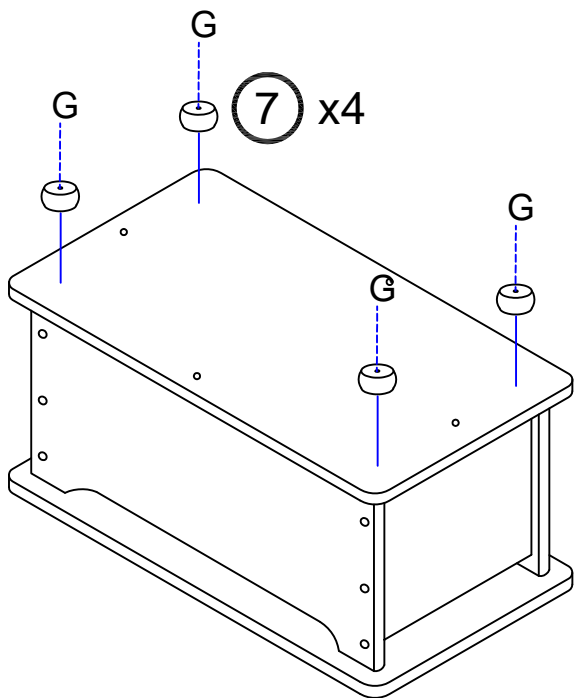
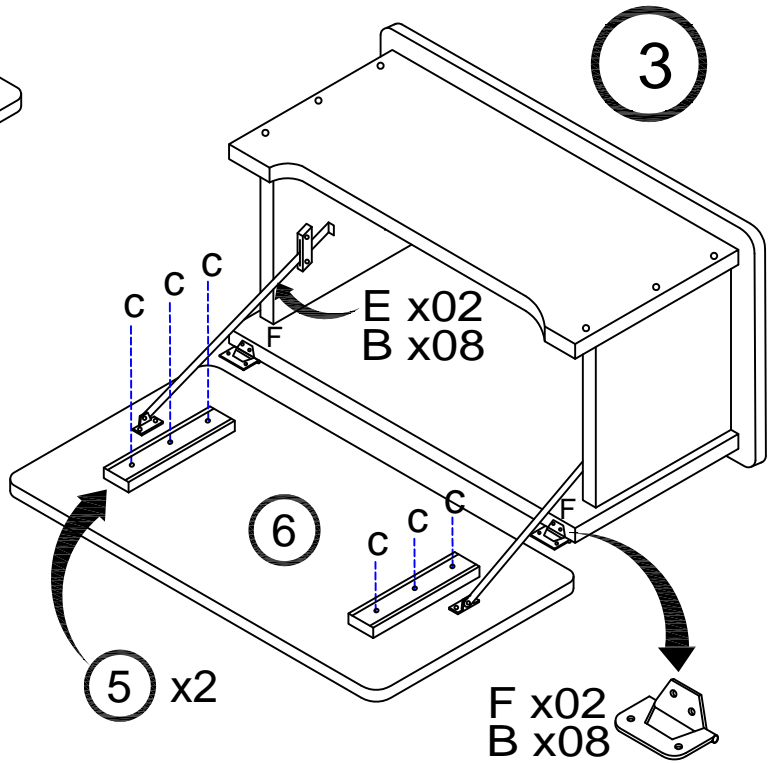
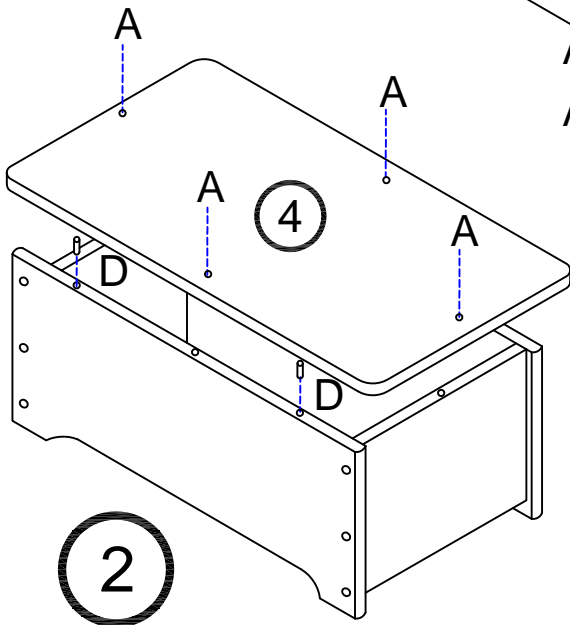
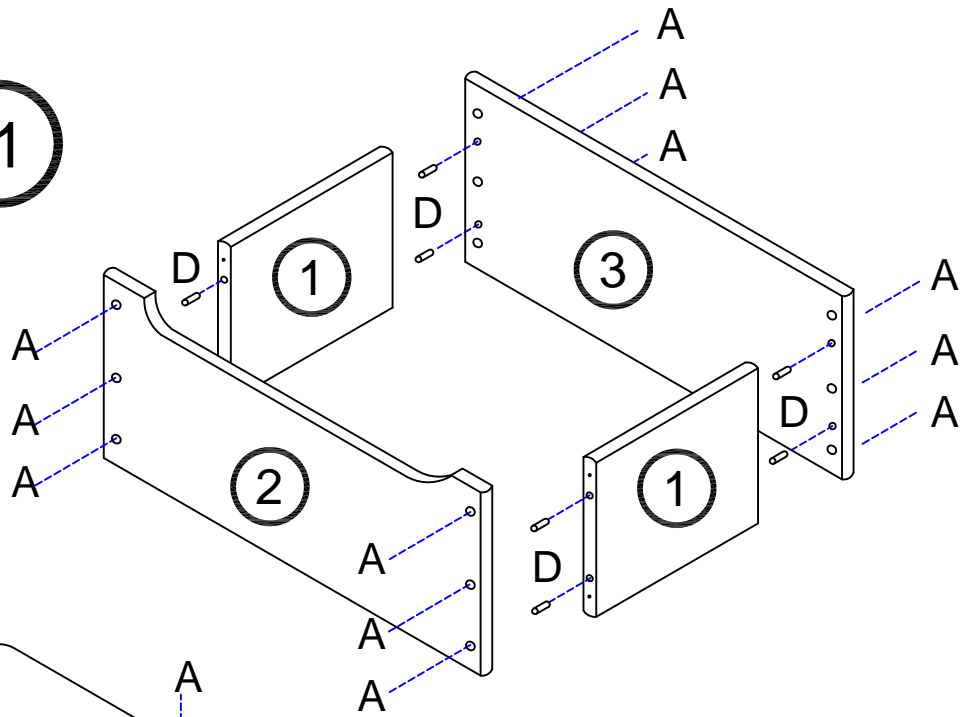
HARDWARE PACKAGE

- OPEN THE HARDWARE PACKAGE ON A FLAT SURFACE.
- MAKE SURE YOU HAVE THE CORRECT NUMBER OF EACH PIECE (LISTED FAR RIGHT).
 - CALL CUSTOMER SERVICE IF ANY PARTS ARE MISSING.
- PLEASE FOLLOW THE LETTER IDENTIFICATION WHEN READING INSTRUCTIONS.

HARDWARE PACKAGE INCLUDES:

A	 4.0 x 40	SCREWS 4,0 x 40 cf.	16
B	 3,0 x 16	SCREWS 3,0 x 16 cc.	16
C	 4,0 x 25	SCREWS 4,0 x 25 cp.	06
D	 8.0 x 30	WOOD DOWEL 8,0 x 30	12
E		STOP 250mm.	02
F		HINGE	02
G	 4.0 x 40	SCREWS 4,0 x 40 cp.	04

1



4

