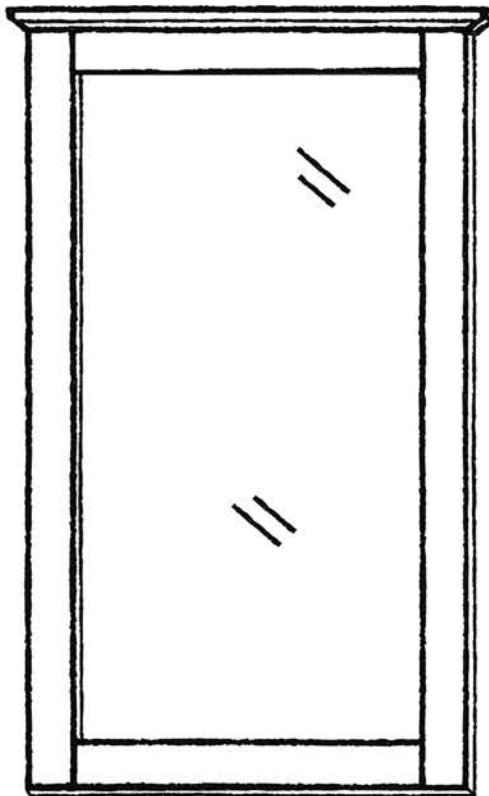


Since 1976

ADEPTUS[®]

DRESSER MIRROR # 24621

• ASSEMBLY INSTRUCTIONS •

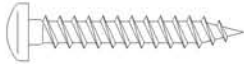
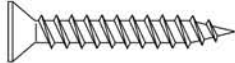
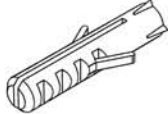


FOR ADVICE / COMMENTS OR FOR REPLACEMENT OF
MISSING / DEFECTIVE PARTS, PLEASE CALL:
TOLL FREE 1.888.ADEPTUS MON. - FRI. 9 AM TO 4 PM C.S.T.


IMPORTANT: SAVE INSTRUCTION SHEETS AND BOX
UNTIL YOU ARE SATISFIED WITH ASSEMBLY.

IF YOU CALL FOR HELP, PLEASE IDENTIFY YOUR ITEM BY
NAME & STOCK NUMBER, STORE WHERE PURCHASED & DATE
PURCHASED. IF A CODE IS ON THE BOTTOM RIGHT CORNER
OF THIS PAGE, OR ON THE BOX, PLEASE TELL US.

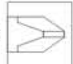
THANK YOU, AND WELCOME TO ADEPTUS!

A	 4,5 X 30	08
B	 4,5 X 30	02
C		02

Tools Required

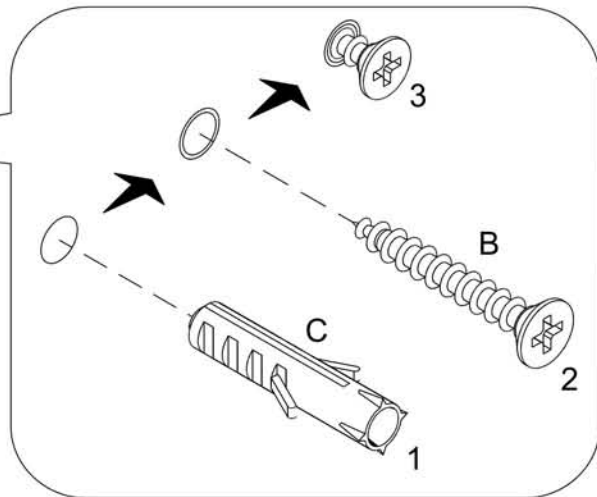
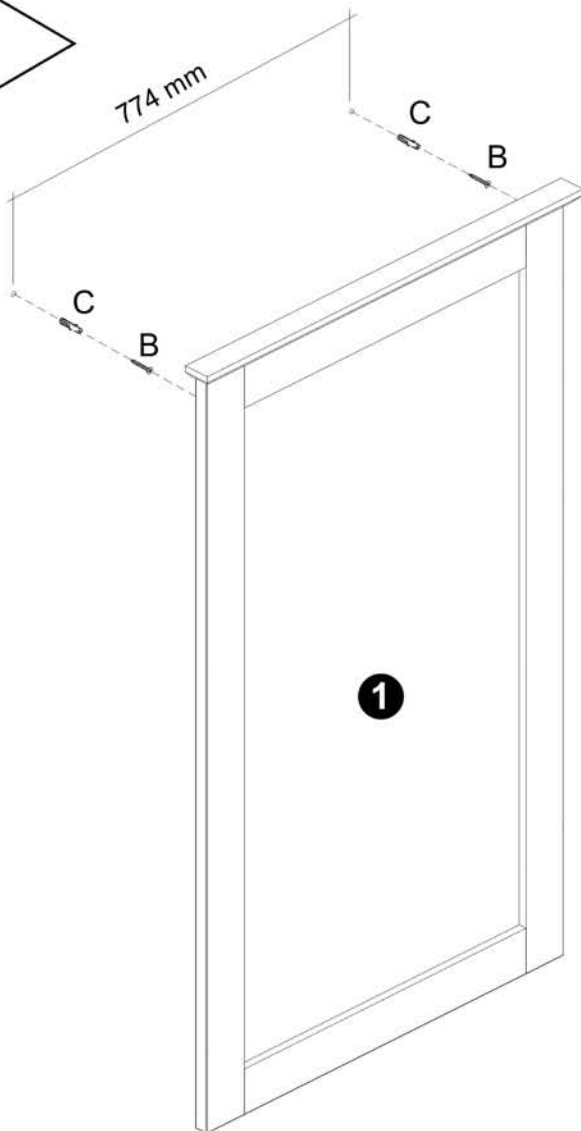


Phillips Tool



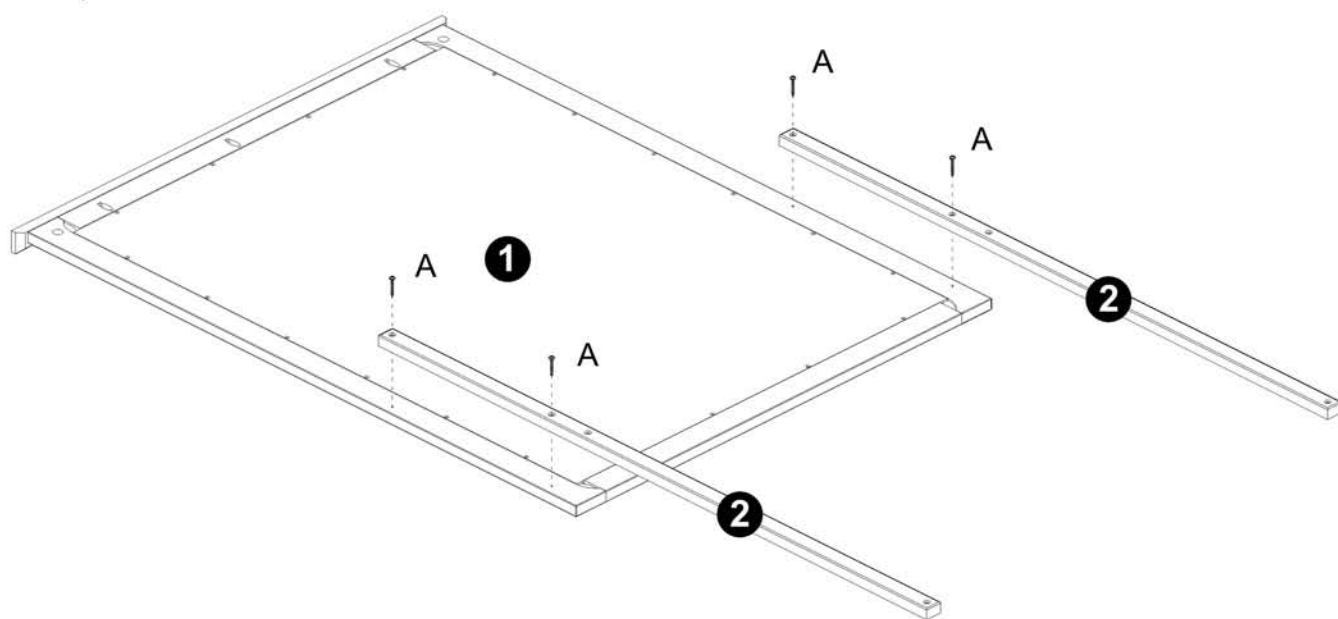
ASSEMBLE A

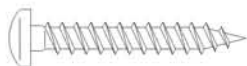
01



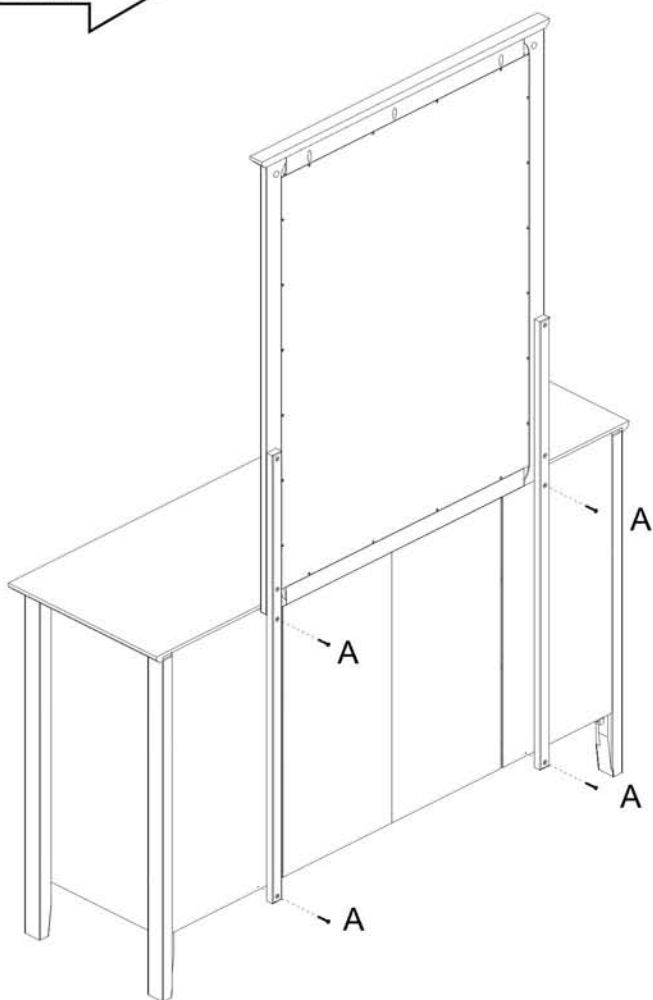
01

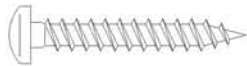
ASSEMBLE B



A		04x
4,5 X 30		

02



A		04x
4,5 X 30		