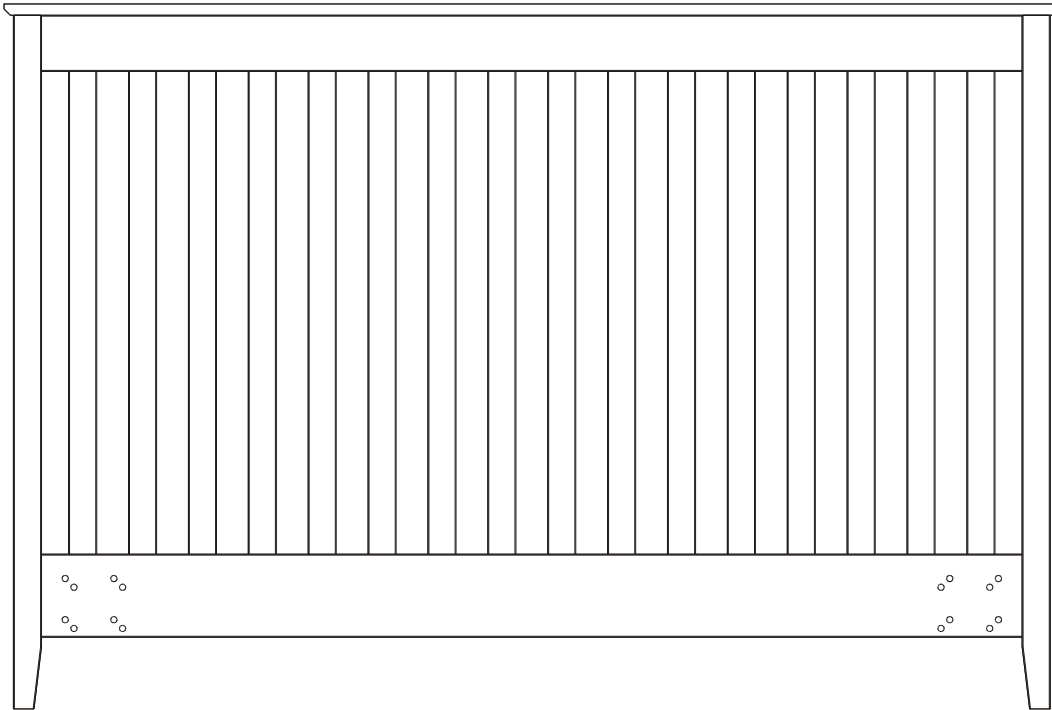


Since 1976
ADEPTUS

FULL / QUEEN HEADBOARD #56122

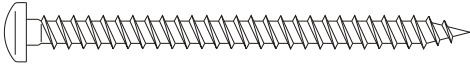
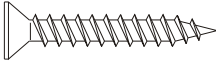
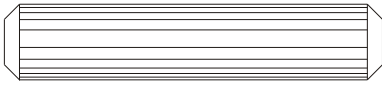
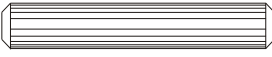


• ASSEMBLY INSTRUCTIONS •




FOR REPLACEMENT OF MISSING / DEFECTIVE PARTS OR
FOR ADVICE / COMMENTS, PLEASE CALL:
TOLL FREE 1.888.ADEPTUS 10 - 4 C.S.T. MON. - FRI.

IMPORTANT: SAVE INSTRUCTION SHEETS AND BOX UNTIL YOU
ARE SATISFIED WITH ASSEMBLY.


IF CALLING US, IDENTIFY YOUR PRODUCT BY STOCK NUMBER,
PRODUCT NAME, FINISH, STORE WHERE PURCHASED, AND DATE
PURCHASED. IF AVAILABLE, ALSO NOTE THE PRODUCTION CODE
LOCATED ON THE BOTTOM RIGHT CORNER OF THIS PAGE.

A		5,0 X 60	04
B		4,5 X 30	03
C		10 X 50	08
D		6,0 X 35	36
E			07
F			02

Tools Required

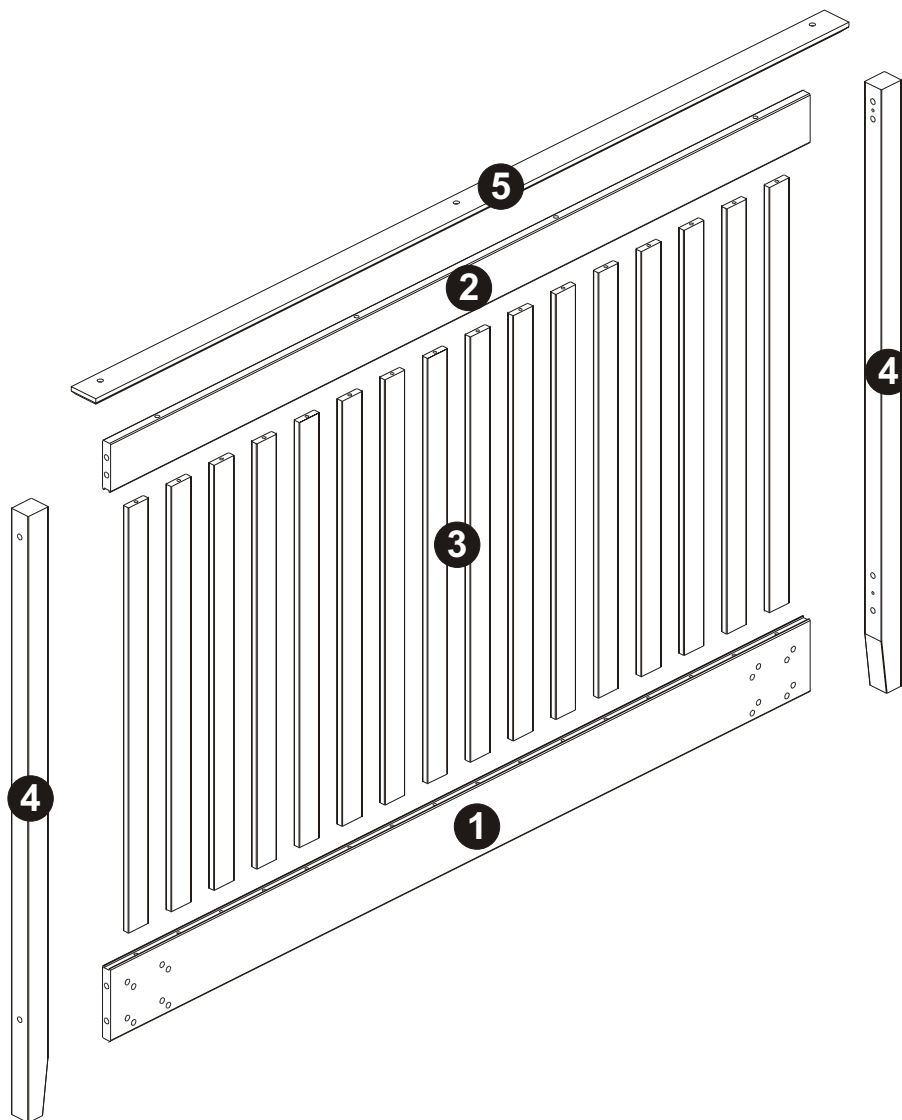


Phillips Tool



Hammer

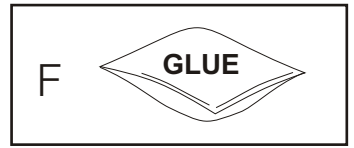
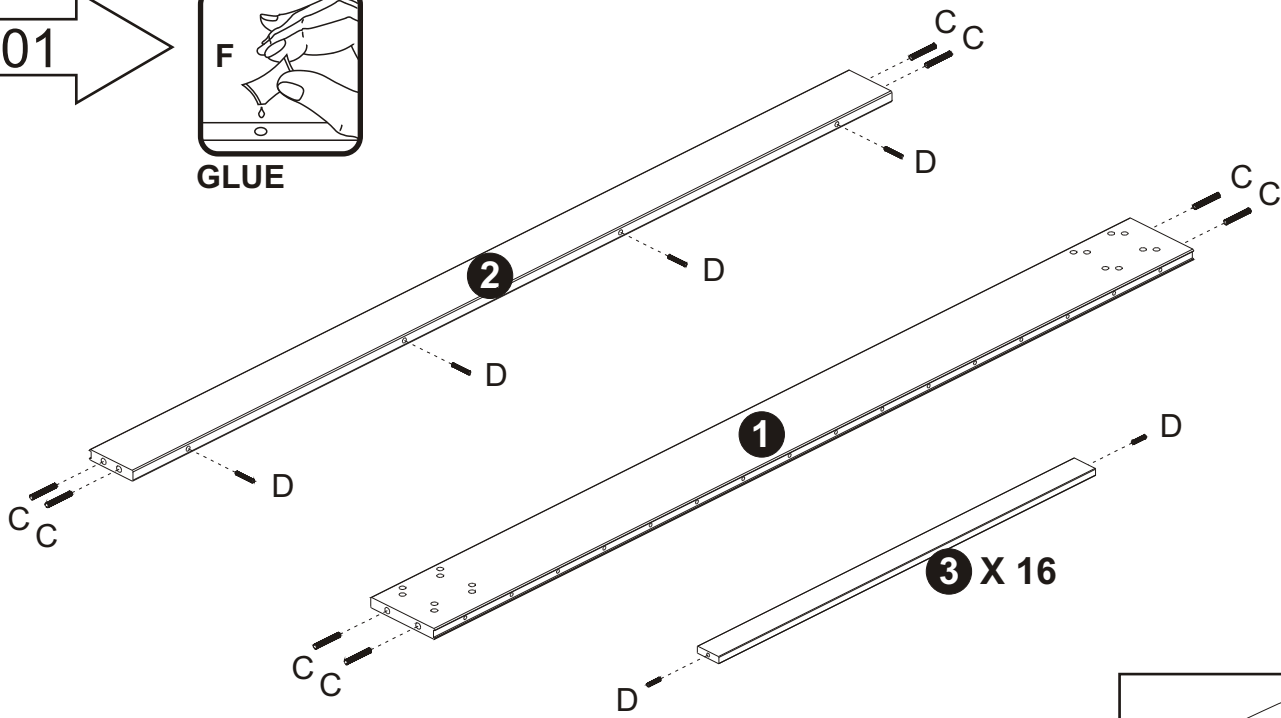
* These tools are not supplied by the manufacturer



01



GLUE



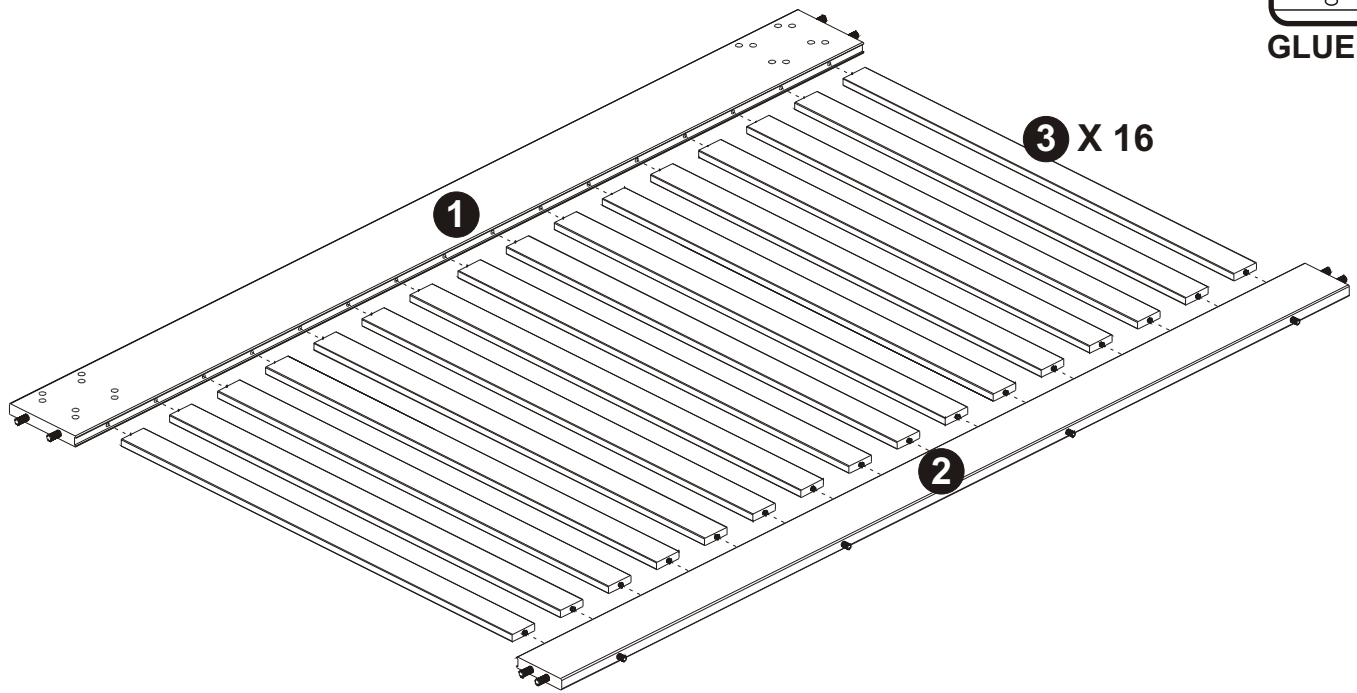
C		8x
10 X 50mm		

D		36x
6,0 X 35mm		

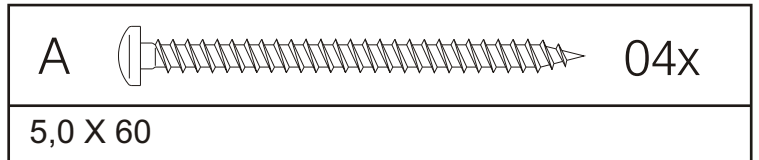
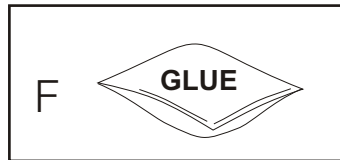
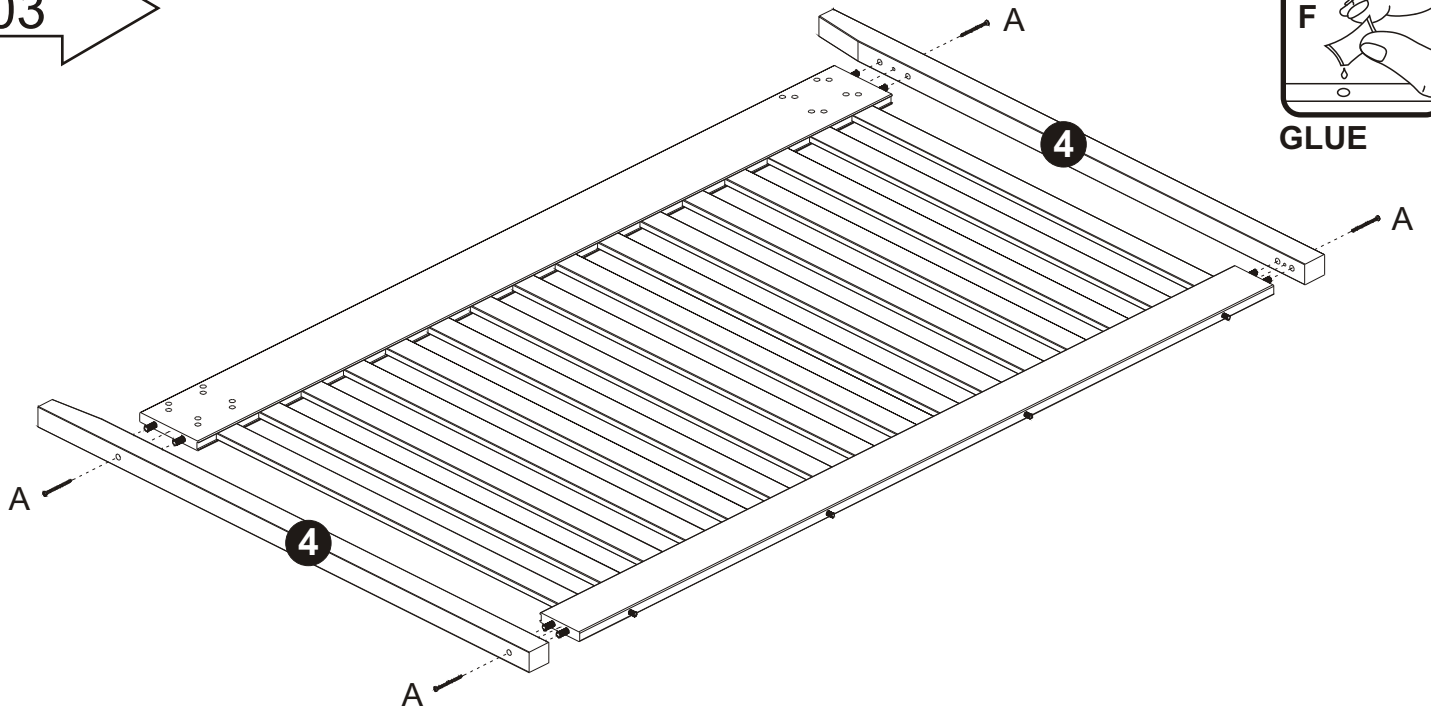
02



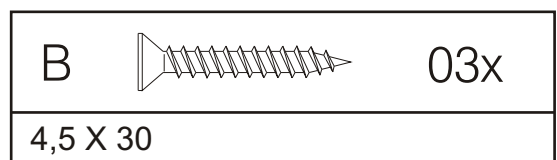
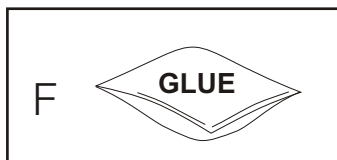
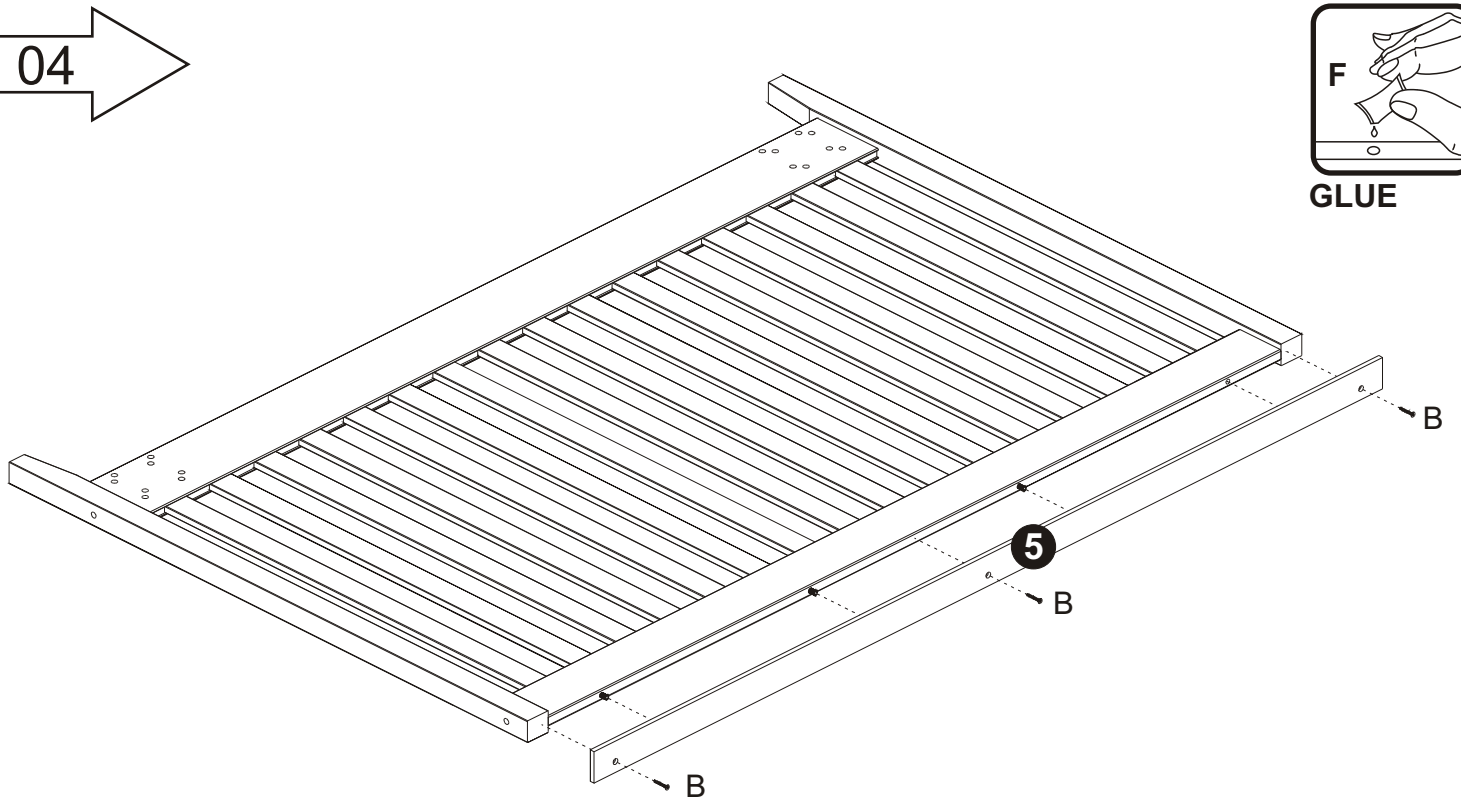
GLUE



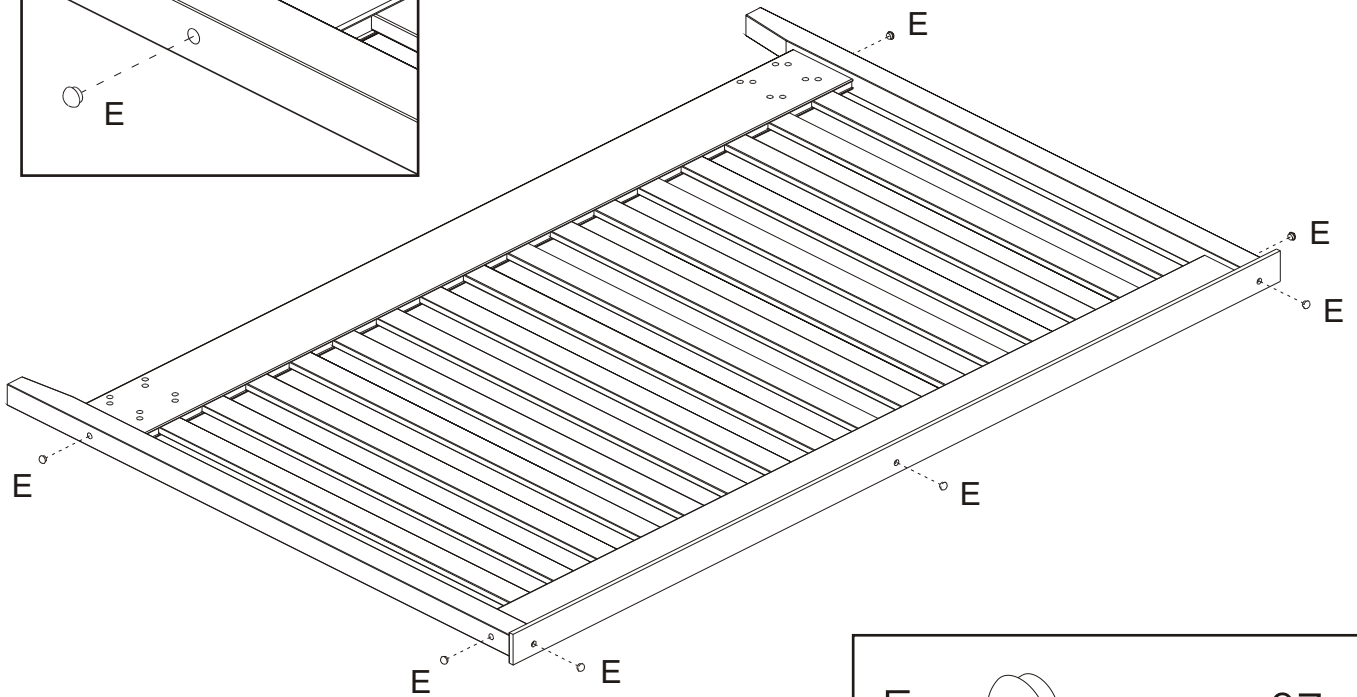
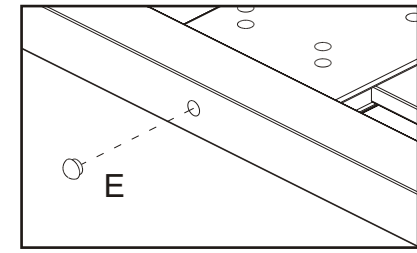
03



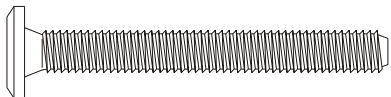
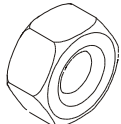

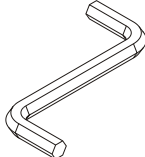
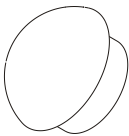
04



05



Hardware To Attach Headboard To Your Bedframe

A	 1/4 X 40	04
B		04
C		08
D		01
E		08