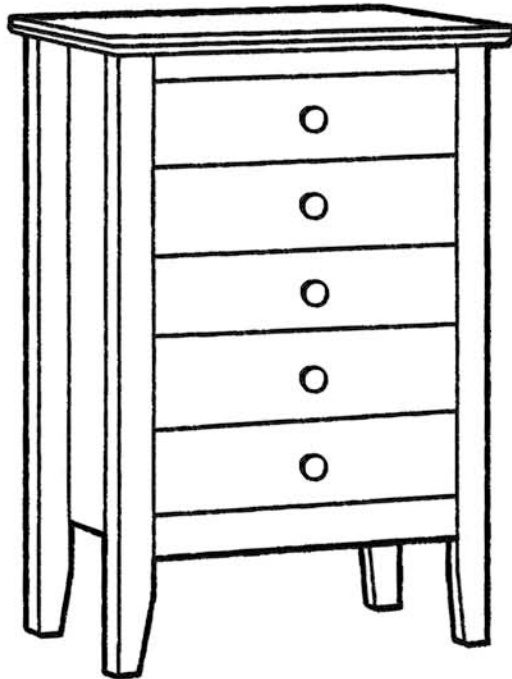


Since 1976

**ADEPTUS**

**FILE CABINET/PRINTER STAND #38216**

• ASSEMBLY INSTRUCTIONS •

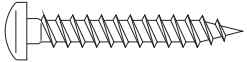
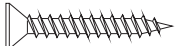

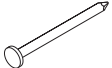
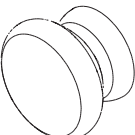


FOR ADVICE / COMMENTS OR FOR REPLACEMENT OF  
MISSING / DEFECTIVE PARTS, PLEASE CALL:  
TOLL FREE 1.888.ADEPTUS MON. - FRI. 9 AM TO 4 PM C.S.T.

IMPORTANT: SAVE INSTRUCTION SHEETS AND BOX  
UNTIL YOU ARE SATISFIED WITH ASSEMBLY.

IF YOU CALL FOR HELP, PLEASE IDENTIFY YOUR ITEM BY  
NAME & STOCK NUMBER, STORE WHERE PURCHASED & DATE  
PURCHASED. IF A CODE IS ON THE BOTTOM RIGHT CORNER  
OF THIS PAGE, OR ON THE BOX, PLEASE TELL US.

THANK YOU, AND WELCOME TO ADEPTUS!

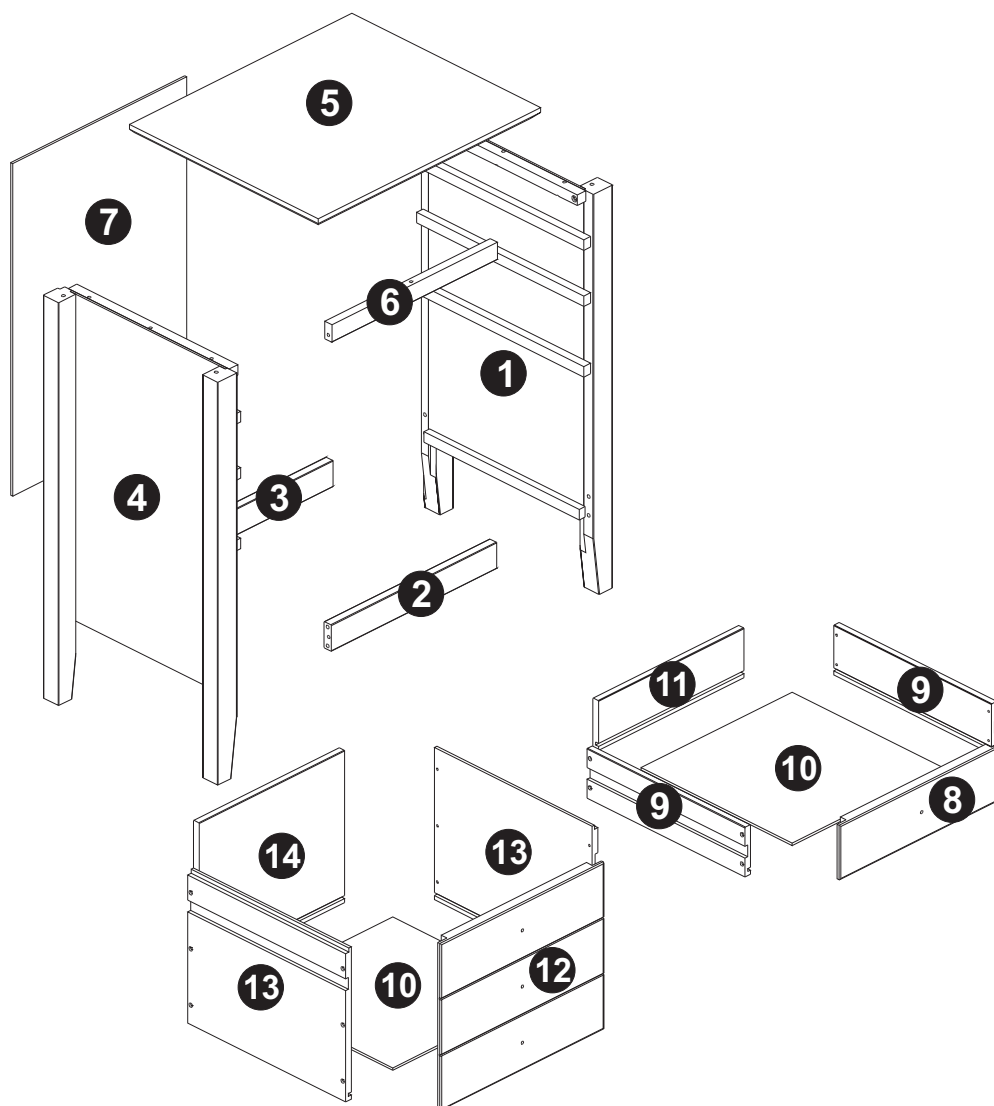
A		4,0 X 30	18
B		3,5 X 25	28
C		6,0 X 35	12
D		8,0 X 08	14
E			05

**Tools Required**

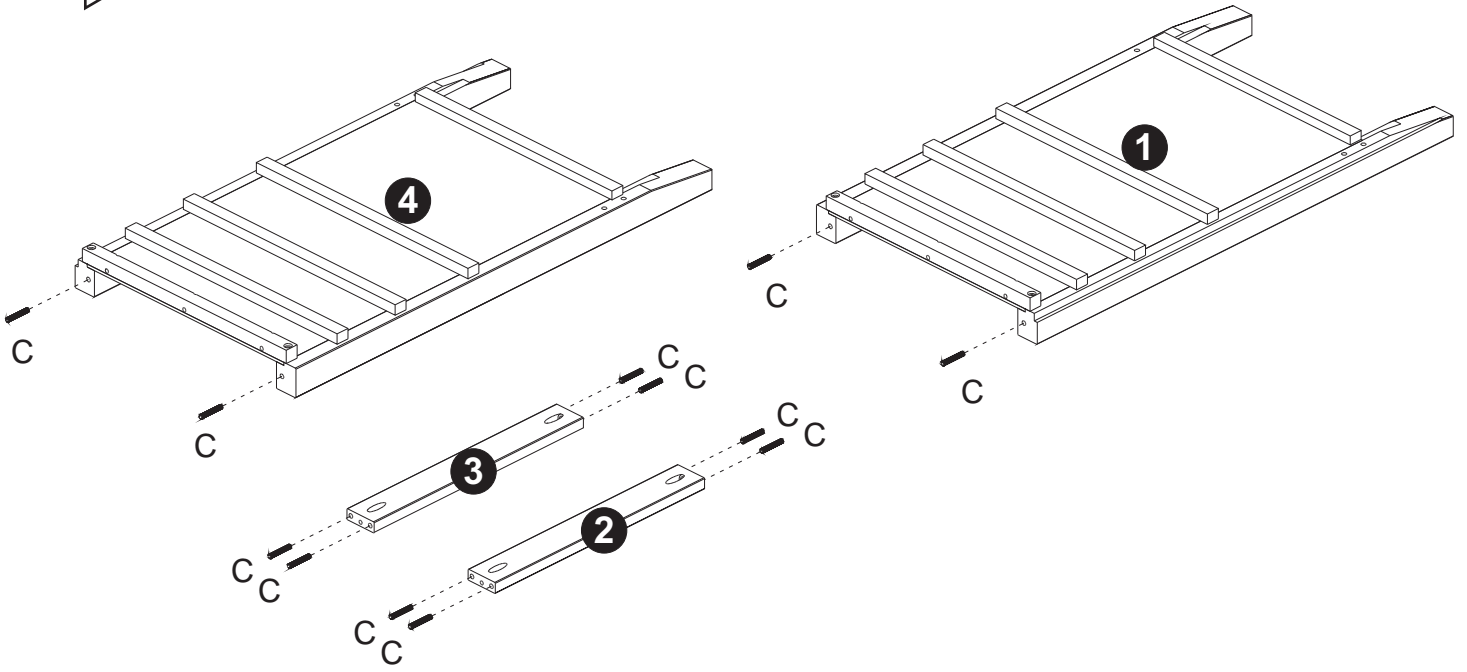




Phillips Tool

Hammer  
\* These tools are not supplied by the manufacturer



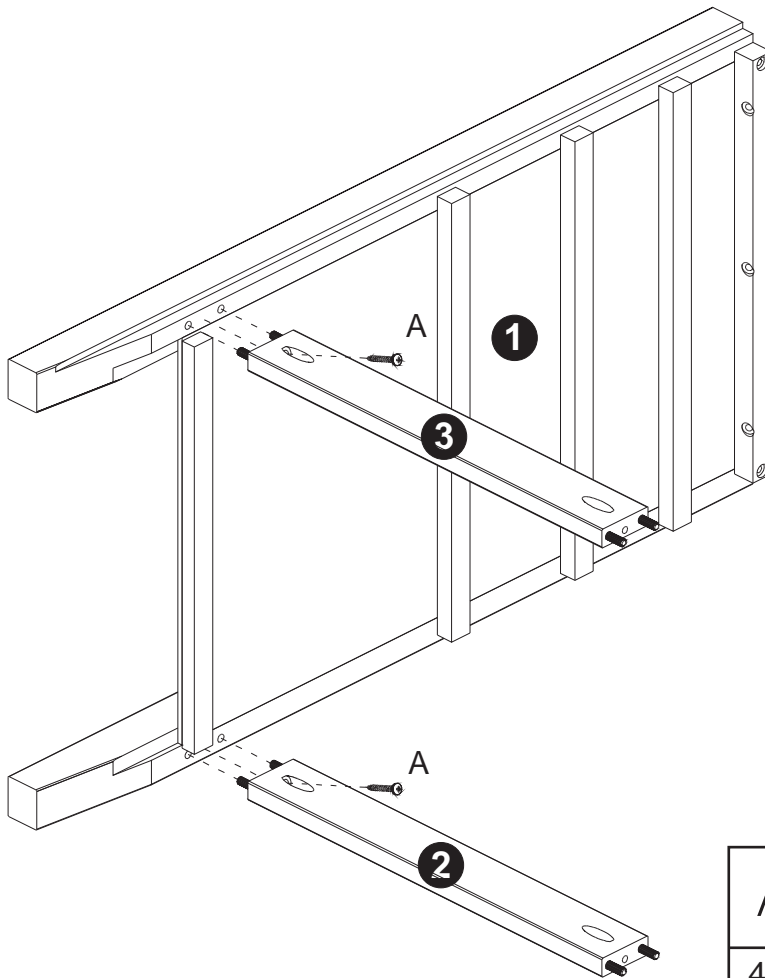
01




C  12x

6,0 X 35mm

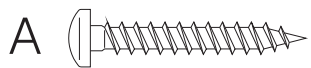
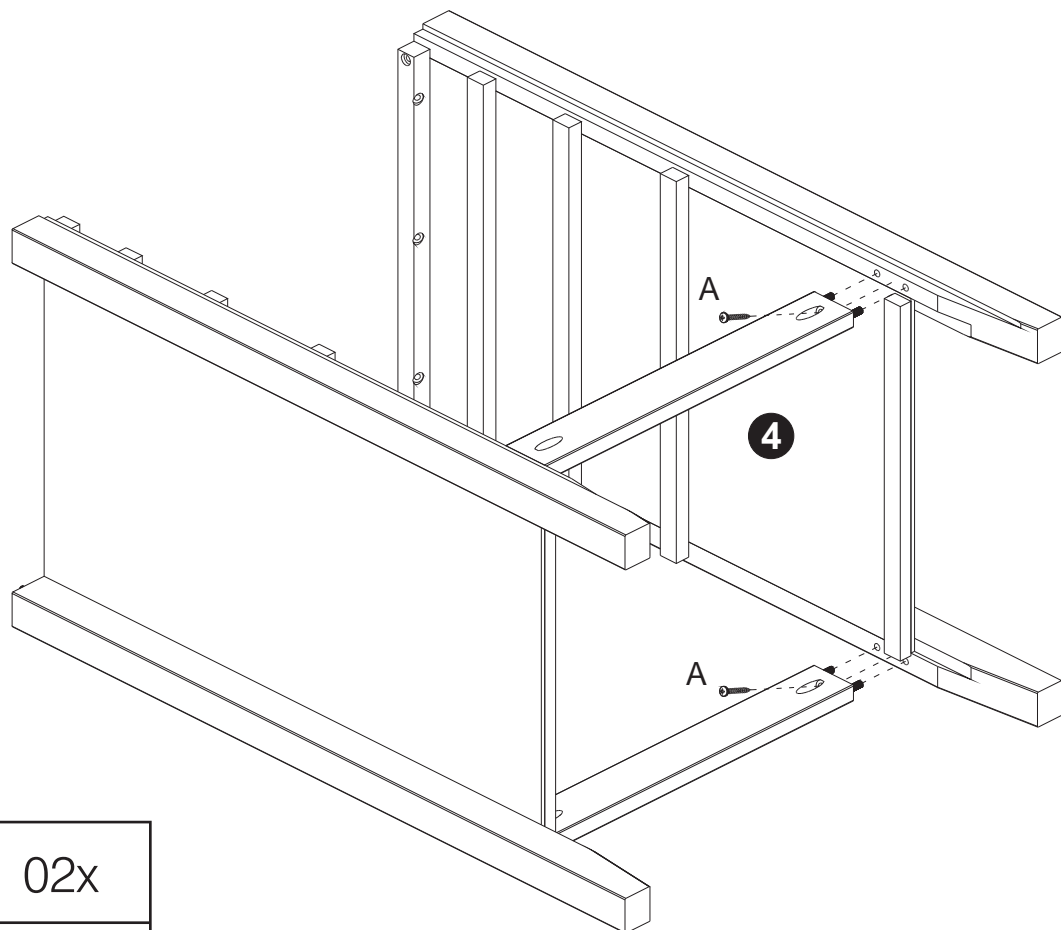
02



A  02x

4,0 X 30

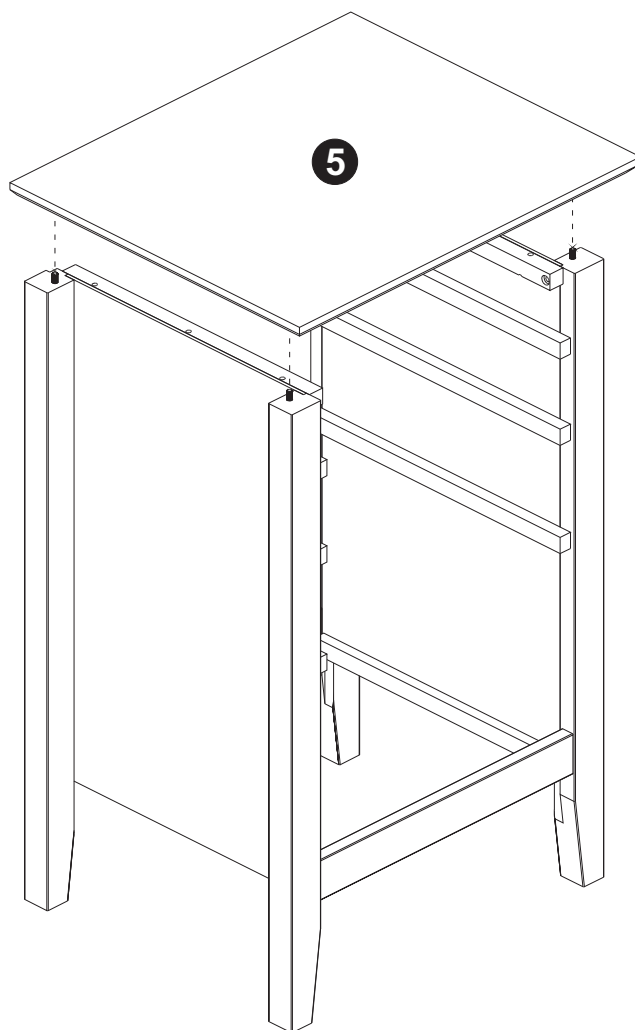
03



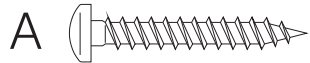
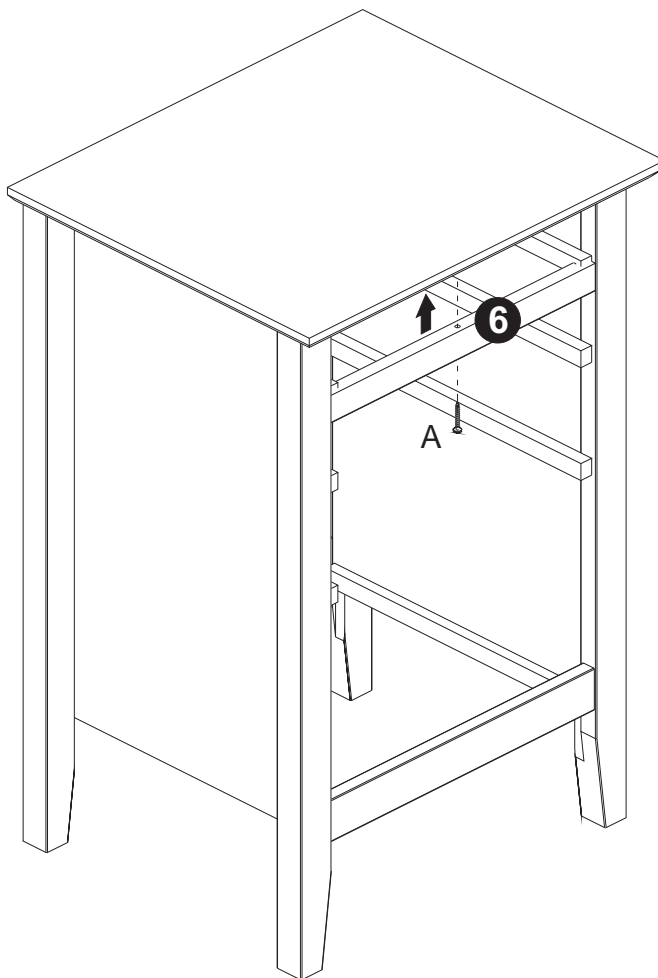
02x

4,0 X 30

04



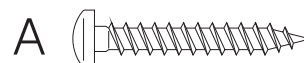
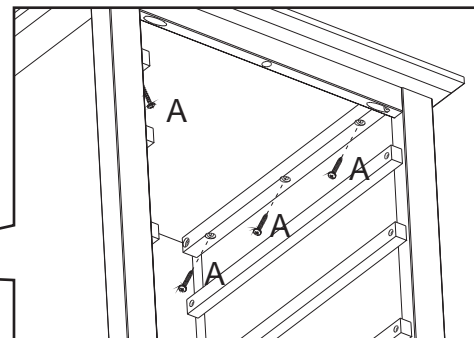
05



01x

4,0 X 30

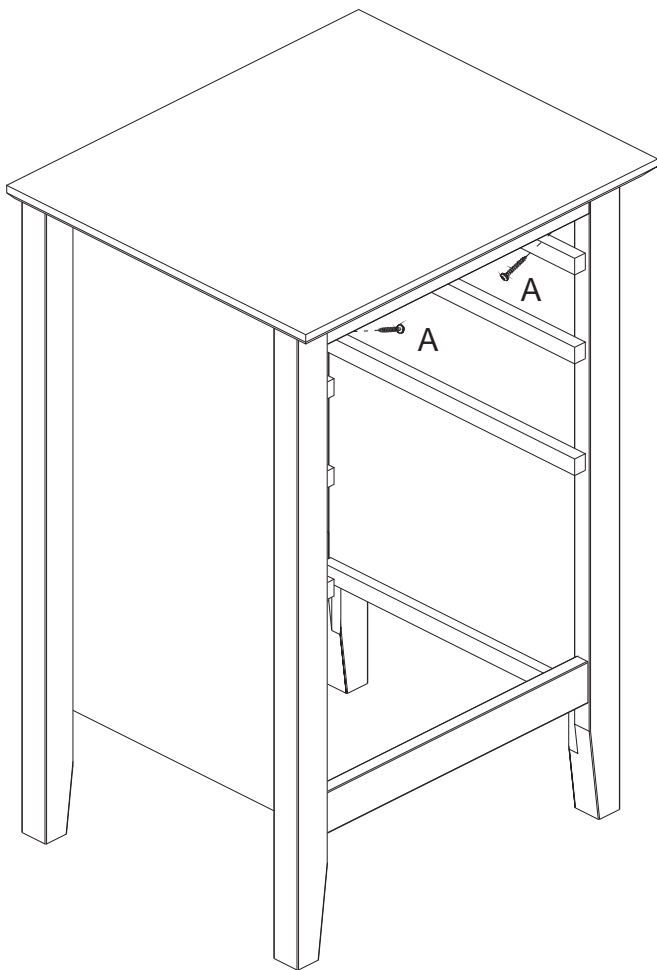
06

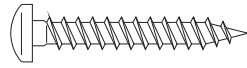


06x

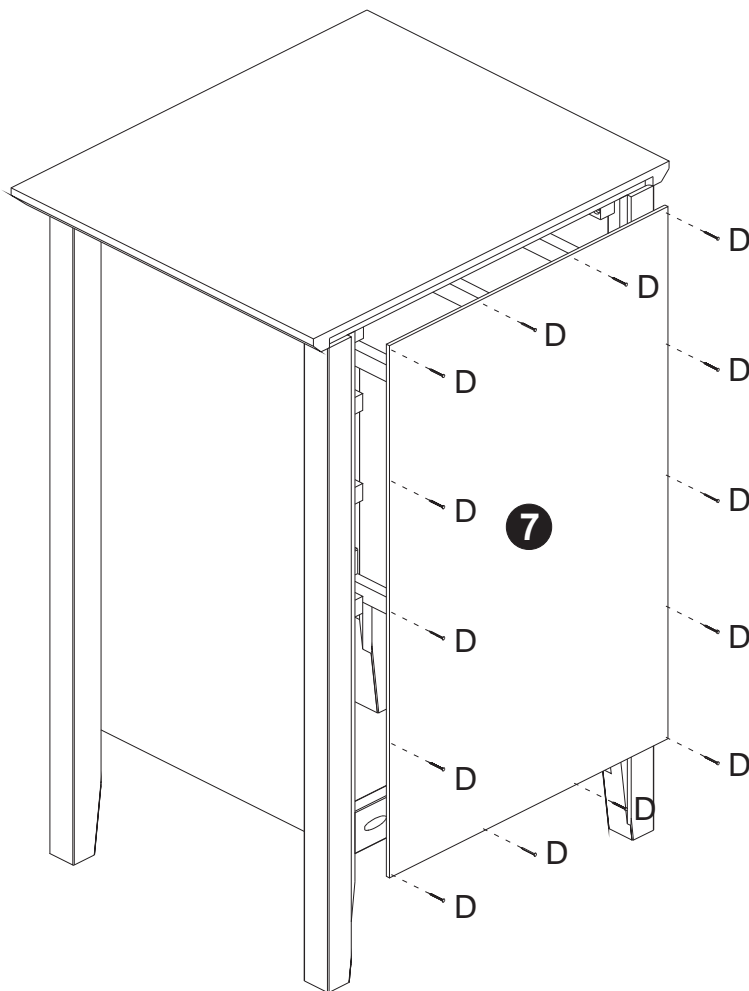
4,0 X 30

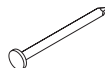
07



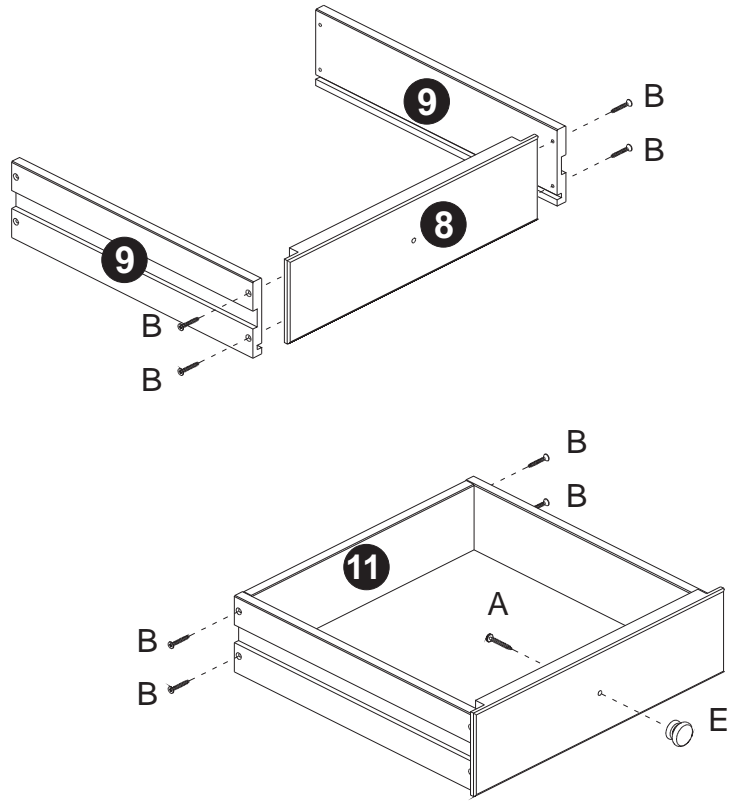
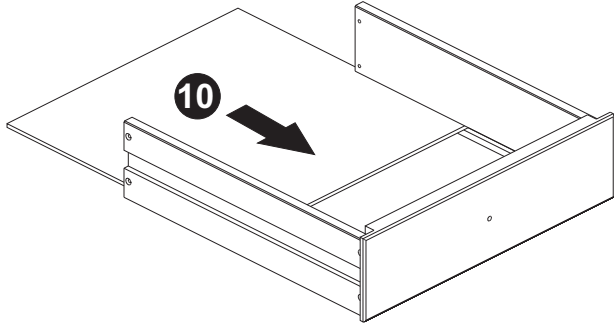
A		02x
4,0 X 30		

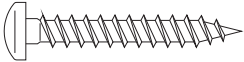
08

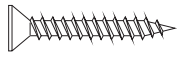


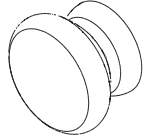
D		14x
8,0 X 08		

09 → 2X

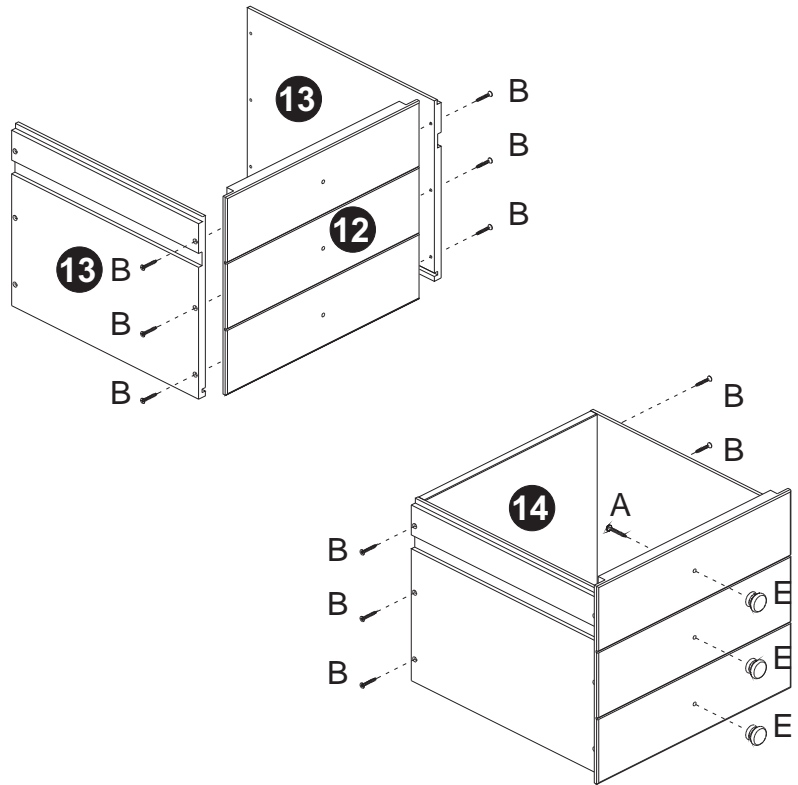
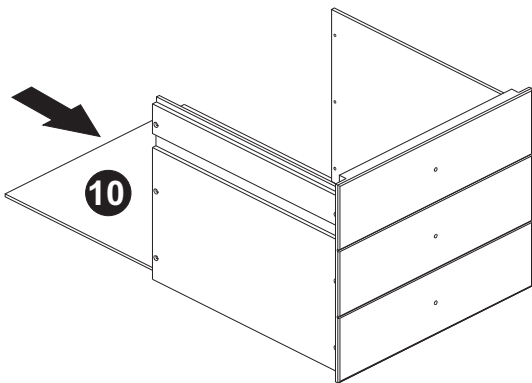


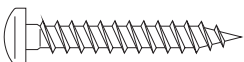
A		02x
4,0 X 30		

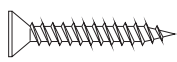
B		16x
3,5 X 25		

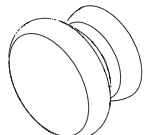
E		02x
---	--	-----

10 →



A		03x
4,0 X 30		

B		12x
3,5 X 25		

E		03x
---	---	-----

11

