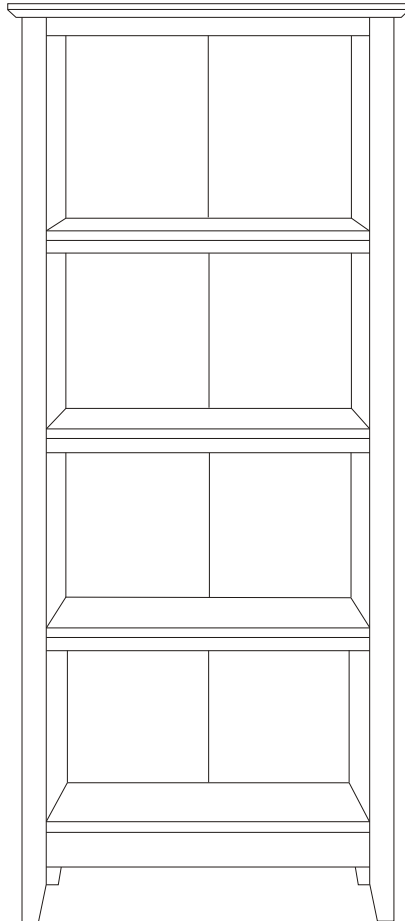


Since 1976

# ADEPTUS®

## 68" BOOKCASE #68151

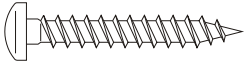

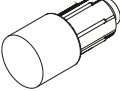
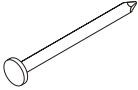
• ASSEMBLY INSTRUCTIONS •




FOR REPLACEMENT OF MISSING / DEFECTIVE PARTS OR  
FOR ADVICE / COMMENTS, PLEASE CALL:  
TOLL FREE 1.888.ADEPTUS 10 - 4 C.S.T. MON. - FRI.

IMPORTANT: SAVE INSTRUCTION SHEETS AND BOX UNTIL YOU  
ARE SATISFIED WITH ASSEMBLY.

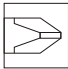
IF CALLING US, IDENTIFY YOUR PRODUCT BY STOCK NUMBER,  
PRODUCT NAME, FINISH, STORE WHERE PURCHASED, AND DATE  
PURCHASED. IF AVAILABLE, ALSO NOTE THE PRODUCTION CODE  
LOCATED ON THE BOTTOM RIGHT CORNER OF THIS PAGE.

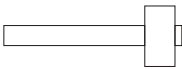
A	 4,0 X 30	15
B	 6,0 X 35	16
C		08
D	 8,0 X 08	34

**Tools Required**



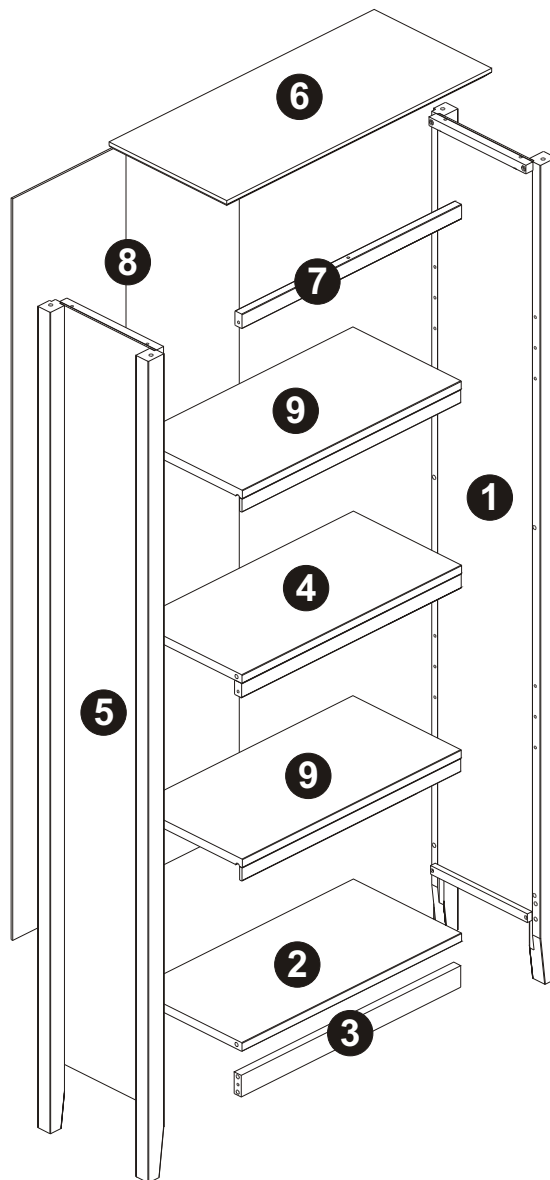
Phillips Tool



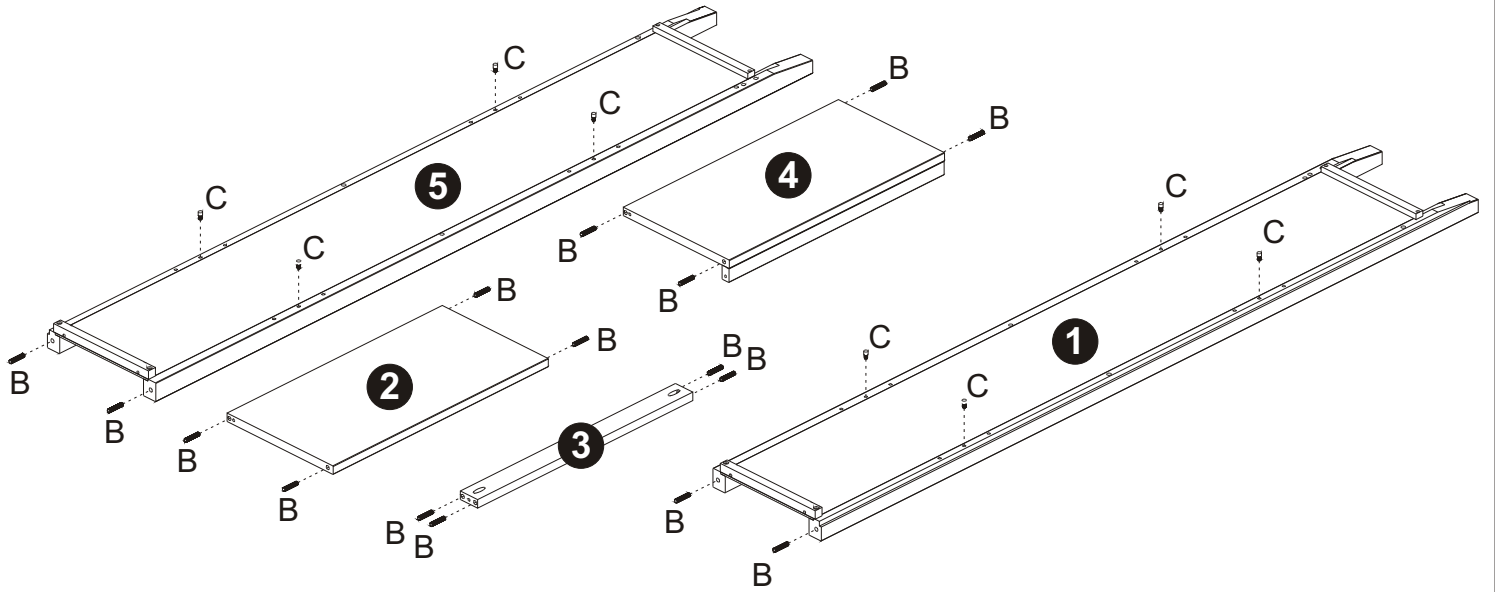


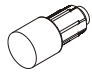
Hammer


\* These tools are not supplied by the manufacturer



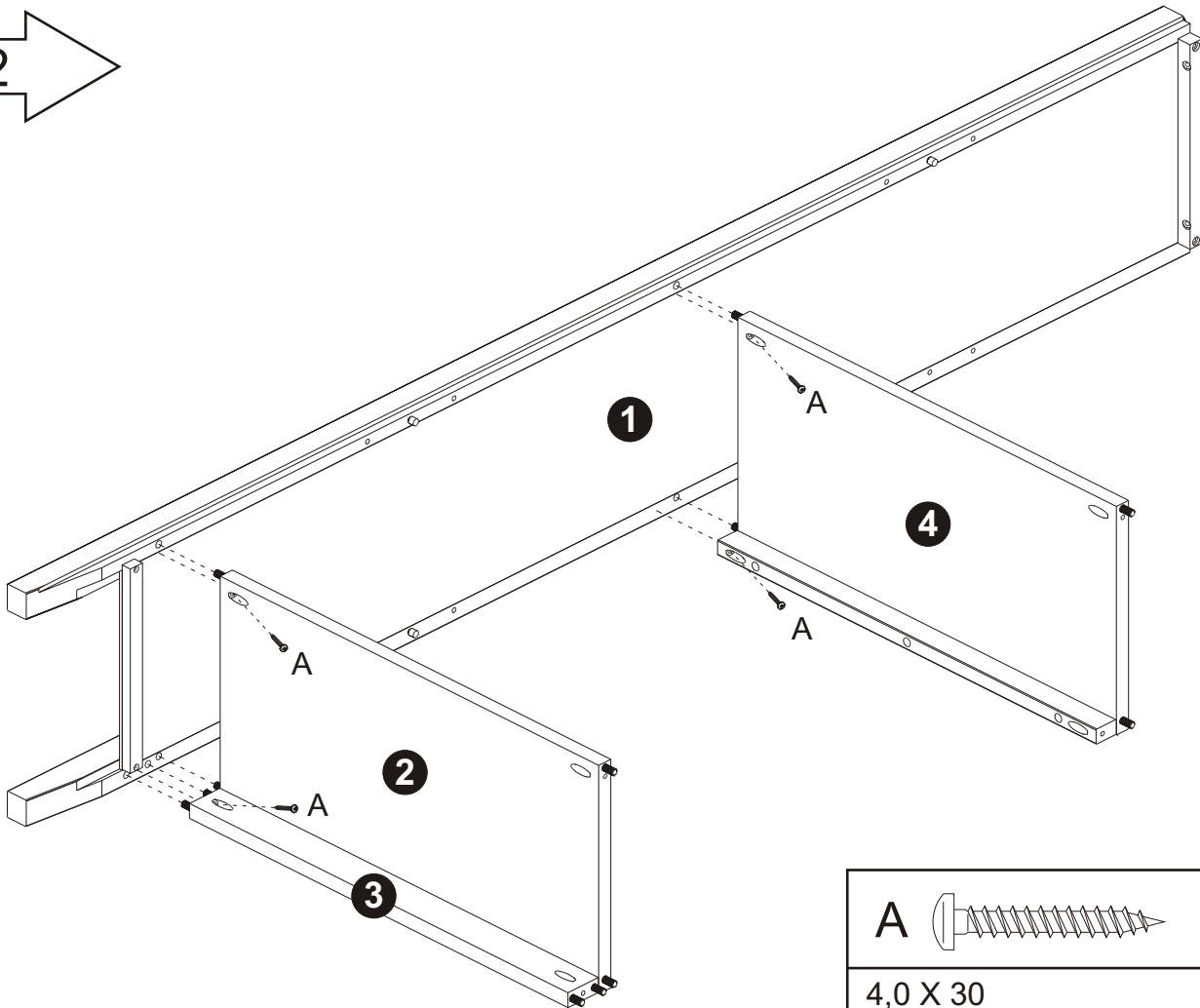
01

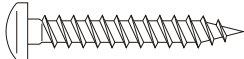


C		08x

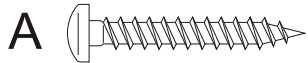
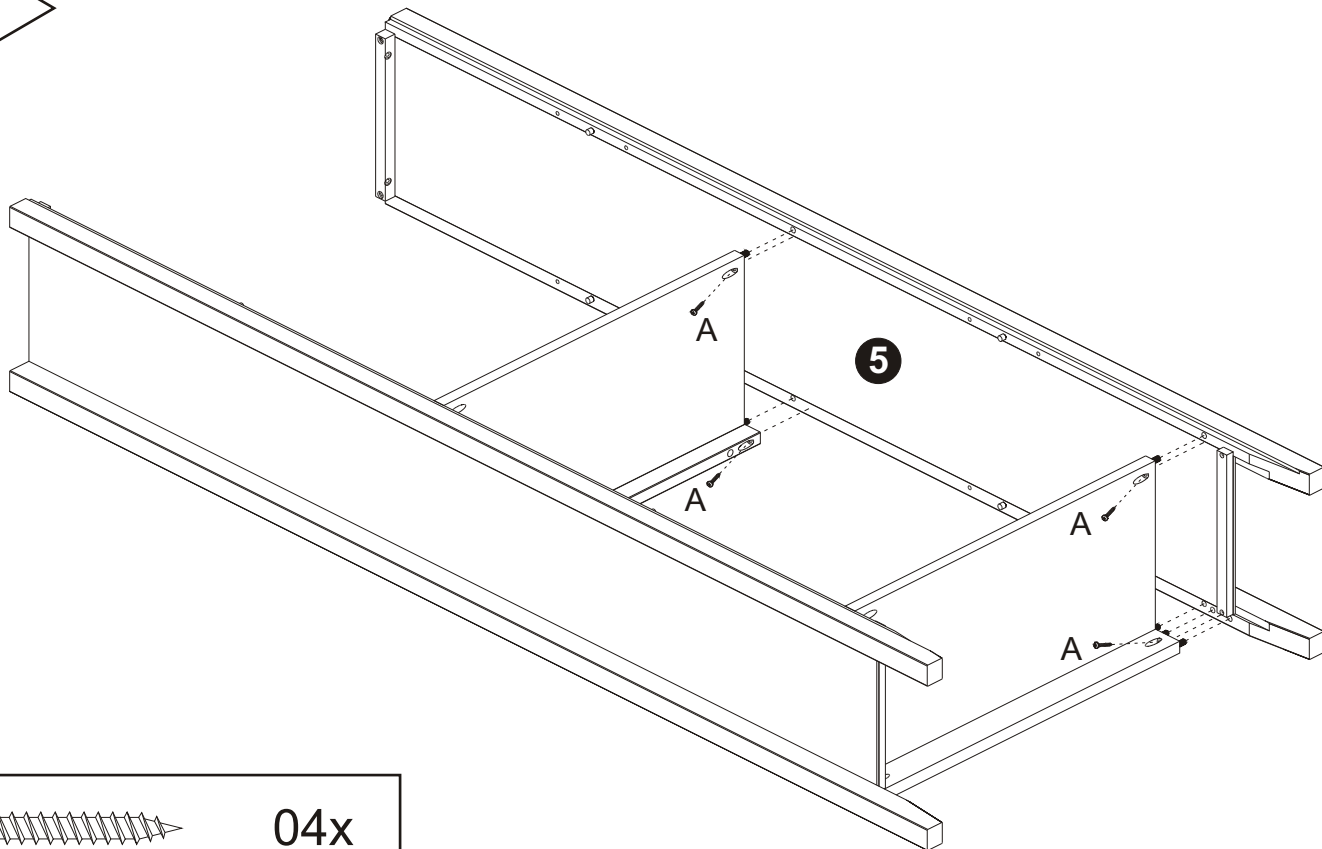
B		16x
6,0 X 35mm		

02



A		04x
4,0 X 30		

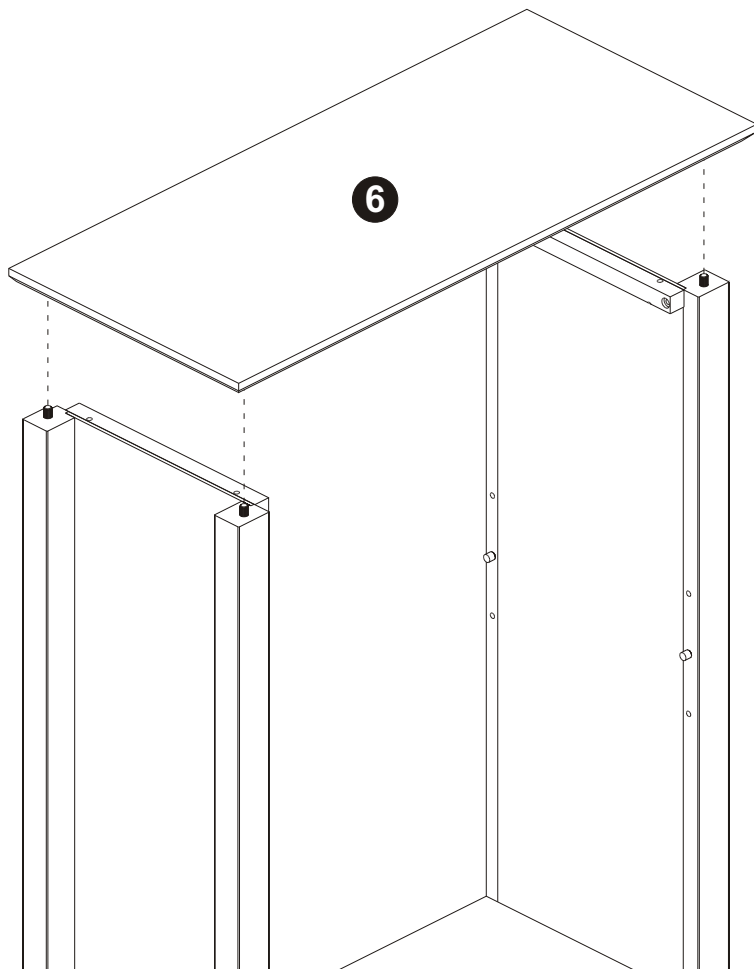
03



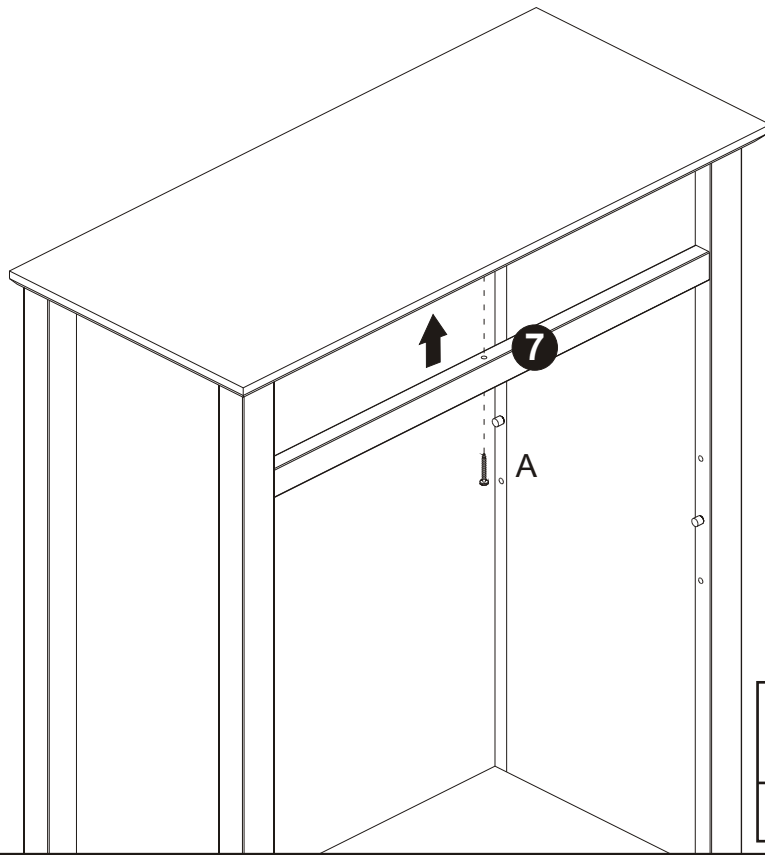
04x

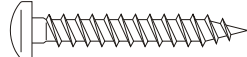
4,0 X 30

04

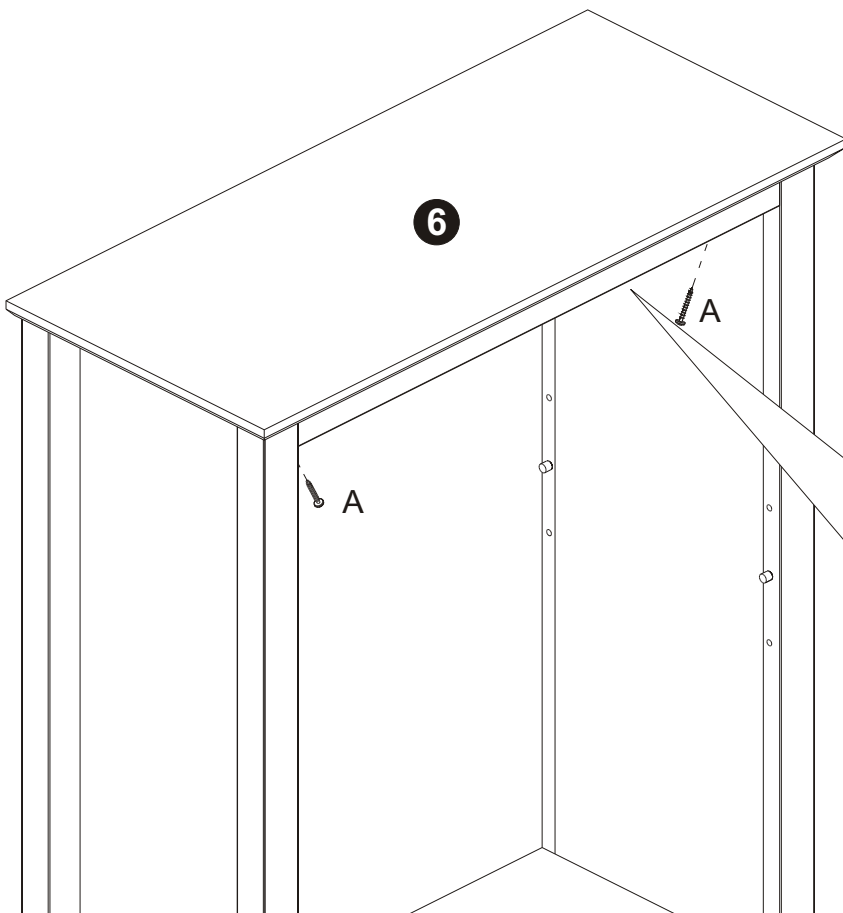


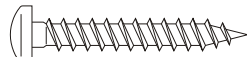
05



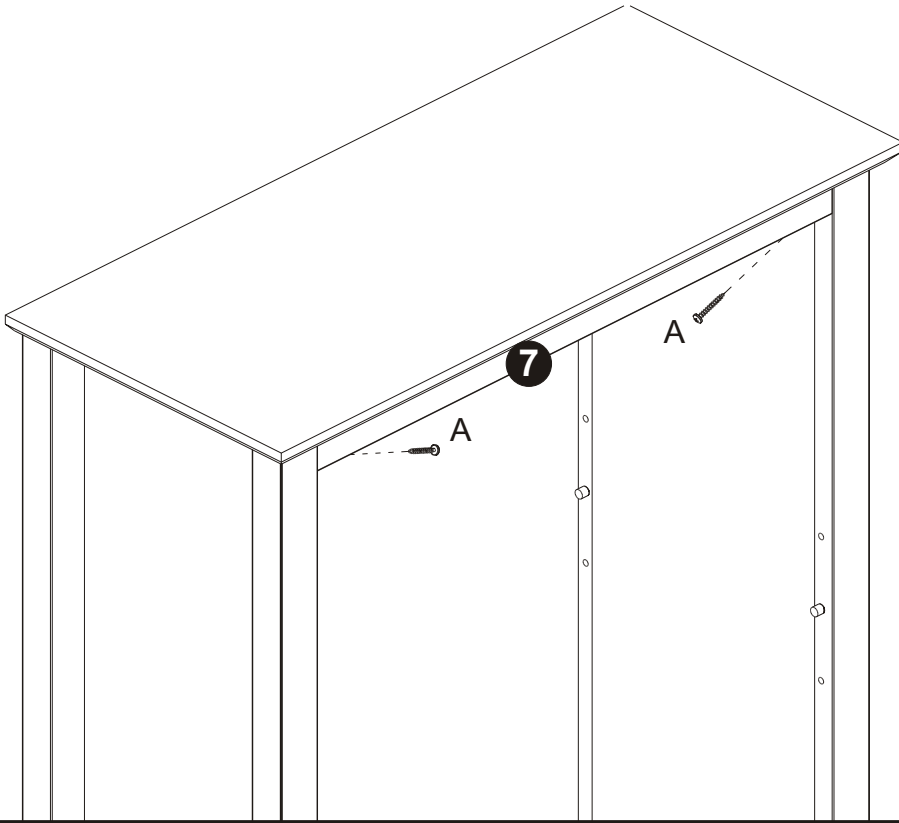
A  01x  
4,0 X 30

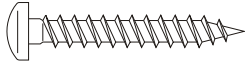
06



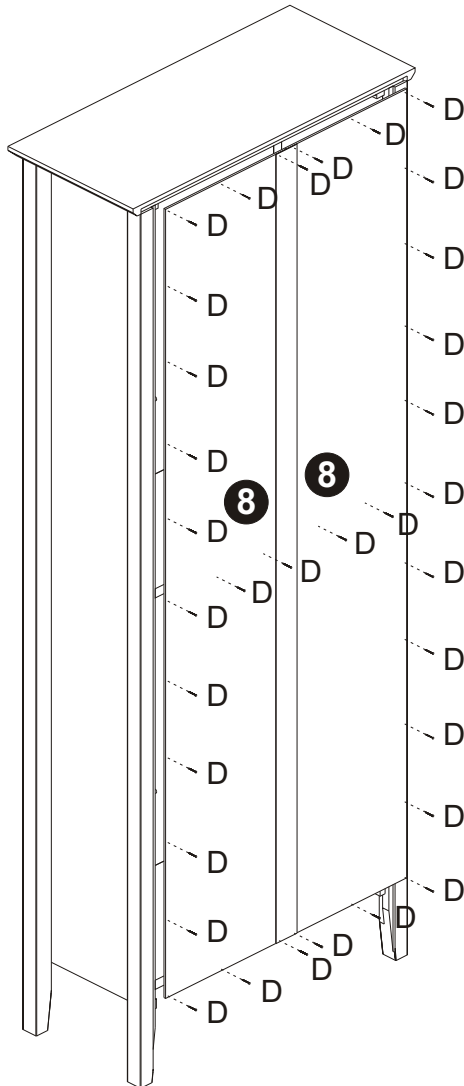
A  04x  
4,0 X 30

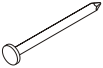
07



<b>A</b>		<b>02x</b>
4,0 X 30		

08



<b>D</b>		<b>34x</b>
8,0 X 08		

09

